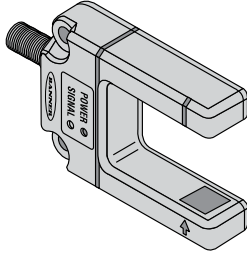


# SL30 Series Slot Sensor



## Datasheet

Self-Contained Opposed-Mode Sensor Pair



- An easy-to-use self-contained opposed-mode sensor pair in a rugged U-shaped housing
- Easy and economical to mount
- Molded-in beam guides simplify mounting and beam placement
- 30 mm slot width for a wide variety of sensing applications
- Applications include label detection, hole detection, gear tooth detection, edge guiding and counting
- 10 V dc to 30 V dc operation
- Bipolar PNP/NPN outputs
- Visible red beam
- Choose 1 millisecond or 300 microsecond response
- 4-turn potentiometer sensitivity adjustment
- 2 mm effective beam
- Dark or light operate
- Choose integral, unterminated cable or QD models



**WARNING: Not To Be Used for Personnel Protection**

Never use this device as a sensing device for personnel protection. Doing so could lead to serious injury or death. This device does not include the self-checking redundant circuitry necessary to allow its use in personnel safety applications. A sensor failure or malfunction can cause either an energized or de-energized sensor output condition.

## Models

Models	Sensing Beam	Slot Width	Cable <sup>1</sup>	Supply Voltage	Output Type	Response	Repeatability
SL30VB6V	Visible red, 680 nm	30 mm (1.2 in)	2 m (6.5 ft) 5-wire cable	10 V dc to 30 V dc	Bipolar NPN and PNP	1 ms	250 $\mu$ s
SL30VB6VQ			5-Pin Euro-style QD				
SL30VB6VY			2 m (6.5 ft) 5-wire cable			300 $\mu$ s	75 $\mu$ s
SL30VB6VYQ			5-Pin Euro-style QD				

## Overview

The SL30 Series Slot Sensor (sometimes called a "Fork Sensor") comprises an opposed-mode emitter and its receiver inside a single convenient housing.

Opposed-mode sensing is very reliable, and the single self-contained housing provides easy installation, with no sensor alignment required. In addition, the molded-in arrow on the emitter portion of the housing and the slotted design on the receiver portion of the housing show at a glance the position of the beam, simplifying installation placement.

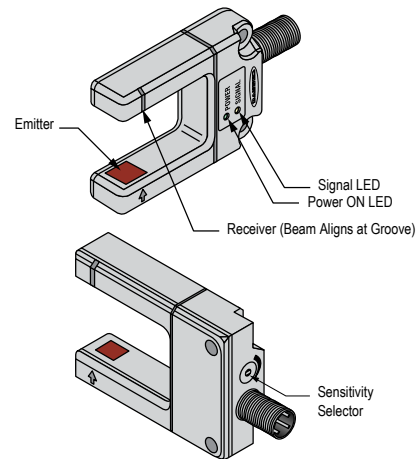


Figure 1. Features

<sup>1</sup> To order the 9 m (30 ft) PVC cable model, add the suffix "W/30" to the cabled model number. For example, Models with a quick disconnect require a mating cordset.



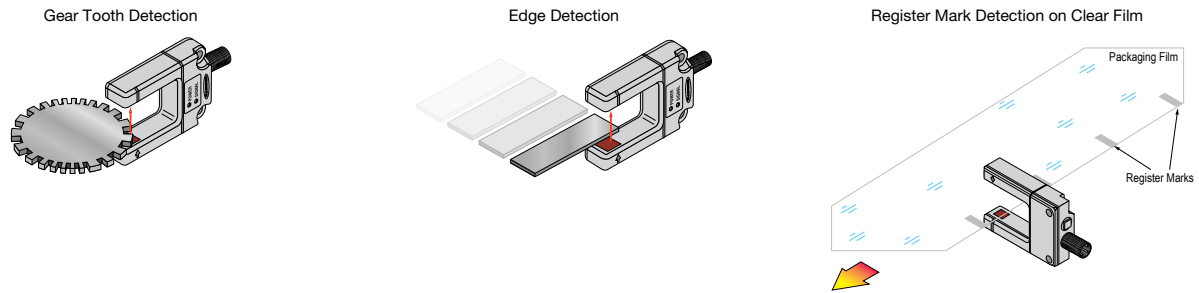


Figure 2. Typical Applications

## LED Indicators

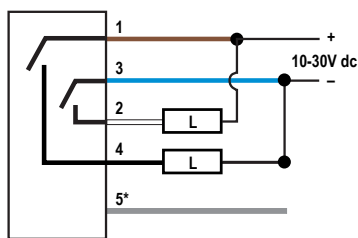
The Slot Sensor features two LED Indicators: Power (green) and Signal (amber). They indicate the following:

- Green ON: Power ON
- Amber ON: Sensor sees light
- Amber flashing: Excess gain is marginal (1 to 1.5×) in light condition

## Select Light Operate/Dark Operate

Connect the gray wire to +V (10 V dc to 30 V dc) for Dark Operate; and to dc common (or open) for Light Operate. See wiring diagrams.

## Wiring Diagrams



### Wiring Key

1. Brown
2. White
3. Blue
4. Black
5. Gray\*

\*For Dark operate, connect gray wire to + (brown). For Light operate, connect gray wire to - (blue).



**Note:** Quick disconnect (QD) wiring diagrams are functionally identical.

## Adjust the Sensitivity

Adjust the sensitivity by turning the 4-turn clutched Sensitivity potentiometer with a small slotted screwdriver.

1. Apply power to the sensor.
2. Turn the potentiometer fully counter-clockwise, 4 full turns or more to set the sensor to the minimum sensitivity.
3. Present the Light condition.  
If the amber Signal Condition indicator is ON, that is the Light condition sensitivity position. If not, proceed to the next step.
4. Turn the potentiometer clockwise, just until the amber Signal Condition indicator turns ON and note the position of the potentiometer.
5. Present the Dark condition.
6. Turn the potentiometer clockwise, just until the amber Signal Condition indicator turns ON, and note the position of the potentiometer.
7. For maximum reliability, the difference between these two positions should be at least one full turn. Set the sensitivity midway between the two positions for best sensing results.

If the object to be sensed is very thin and non-metallic, the sensor may emit too much light energy for the object to completely block the beam. To test this, place the object in the sensing position, and decrease the sensitivity until the amber LED goes OFF. Remove the object; verify that the indicator comes ON solidly. If this does not occur, investigate other sensing alternatives.

## Specifications

### Supply Voltage and Current

10 to 30V dc, 30 mA

### Supply Protection Circuitry

Protected against reverse polarity and transient voltages

### Output Configuration

Bipolar: NPN and PNP

### Output Rating

150 mA, each output

### Output Protection Circuitry

Protected against output short-circuit and false pulse on power up

### Output Response Time

1 millisecond or 300 microseconds, depending on model

### Repeatability

250 microseconds or 75 microseconds, depending on model

### Adjustments

4-turn clutched potentiometer sensitivity adjustment

### Slot Opening

30 mm (1.2 in) wide x 45 mm (1.8 in) deep overall; beam set in 10 mm (0.4 in) from outer edge

### Indicators

Green: Power on/off indicator  
Amber: Signal condition indicator

### Construction

Housing: ABS/polycarbonate blend  
Optic windows: acrylic

### Connections

2 m (6.5 ft) or 9 m (30 ft) 5-conductor PVC-jacketed attached cable or 5-pin Euro-style quick-disconnect (QD) connector

### Environmental Rating

IEC IP67; NEMA 6

### Operating Conditions

-40 °C to +70 °C (-40 °F to +158 °F)  
90% at +50 °C maximum relative humidity (non-condensing)

### Required Overcurrent Protection



**WARNING:** Electrical connections must be made by qualified personnel in accordance with local and national electrical codes and regulations.

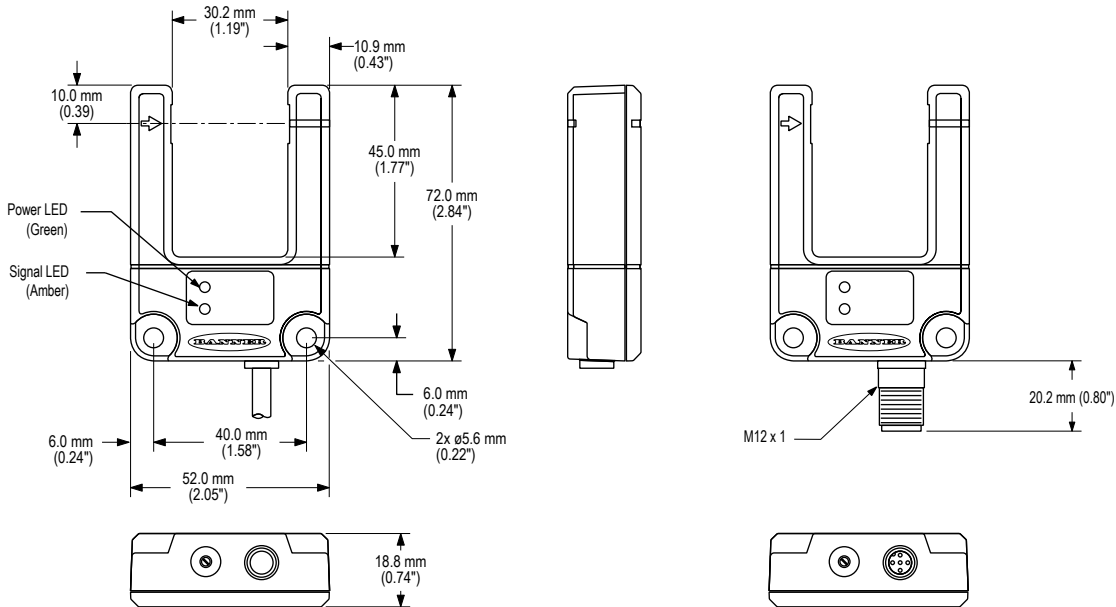
Overcurrent protection is required to be provided by end product application per the supplied table. Overcurrent protection may be provided with external fusing or via Current Limiting, Class 2 Power Supply. Supply wiring leads < 24 AWG shall not be spliced. For additional product support, go to [www.bannerengineering.com](http://www.bannerengineering.com).

Supply Wiring (AWG)	Required Overcurrent Protection (Amps)
20	5.0
22	3.0
24	2.0
26	1.0
28	0.8
30	0.5

### Certifications



## Dimensions



All measurements are listed in millimeters [inches], unless noted otherwise.